

DECNO

floor of innovation



Skirting & Moldings

HDF SKIRTINGS |



Skirting-01

2400x60x15mm
2400x80x15mm



Skirting-02

2400x72x18mm



Skirting-03

2400x80x15mm
2400x90x15mm
2400x96x15mm



Skirting-04

2400x72x18mm



Skirting-05

2400x70x18mm

HDF TRANSITIONS |



Reducer



L(mm)	W(mm)	H(mm)	Package(pcs/ctn)	N.W(kgs/ctn)
2400	45	12	20	14.5
2400	45	15	13	14.7
2400	45	18	10	15



T-moulding



L(mm)	W(mm)	H(mm)	Package(pcs/ctn)	N.W(kgs/ctn)
2400	45	10	20	11
2400	45	12	20	11.5



End-Cap



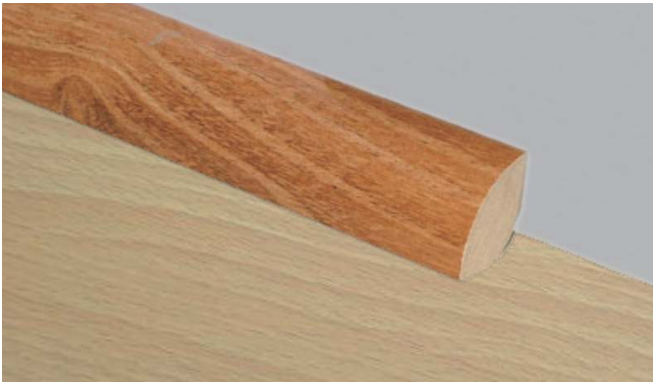
L(mm)	W(mm)	H(mm)	Package(pcs/ctn)	N.W(kgs/ctn)
2400	35	12	20	11.5
2400	35	15	20	12



End-Molding



L(mm)	W(mm)	H(mm)	Package(pcs/ctn)	N.W(kgs/ctn)
2400	21	12	60	16.5



Quarter-Round



L(mm)	W(mm)	H(mm)	Package(pcs/ctn)	N.W(kgs/ctn)
2400	28	15	30	15



Scotia



L(mm)	W(mm)	H(mm)	Package(pcs/ctn)	N.W(kgs/ctn)
2400	28	12	40	12.5
2400	28	15	25	13
2400	38	12	25	14



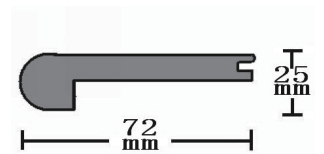
Starinose-01



L(mm)	W(mm)	H(mm)	Package(pcs/ctn)	N.W(kgs/ctn)
2400	55	18	10	10.7



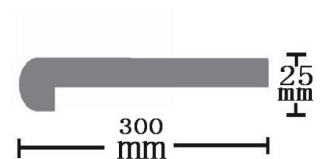
Starinose-02



L(mm)	W(mm)	H(mm)	Package(pcs/ctn)	N.W(kgs/ctn)
2400	72	25	10	11.5
2400	115	25	10	15



Stairboard



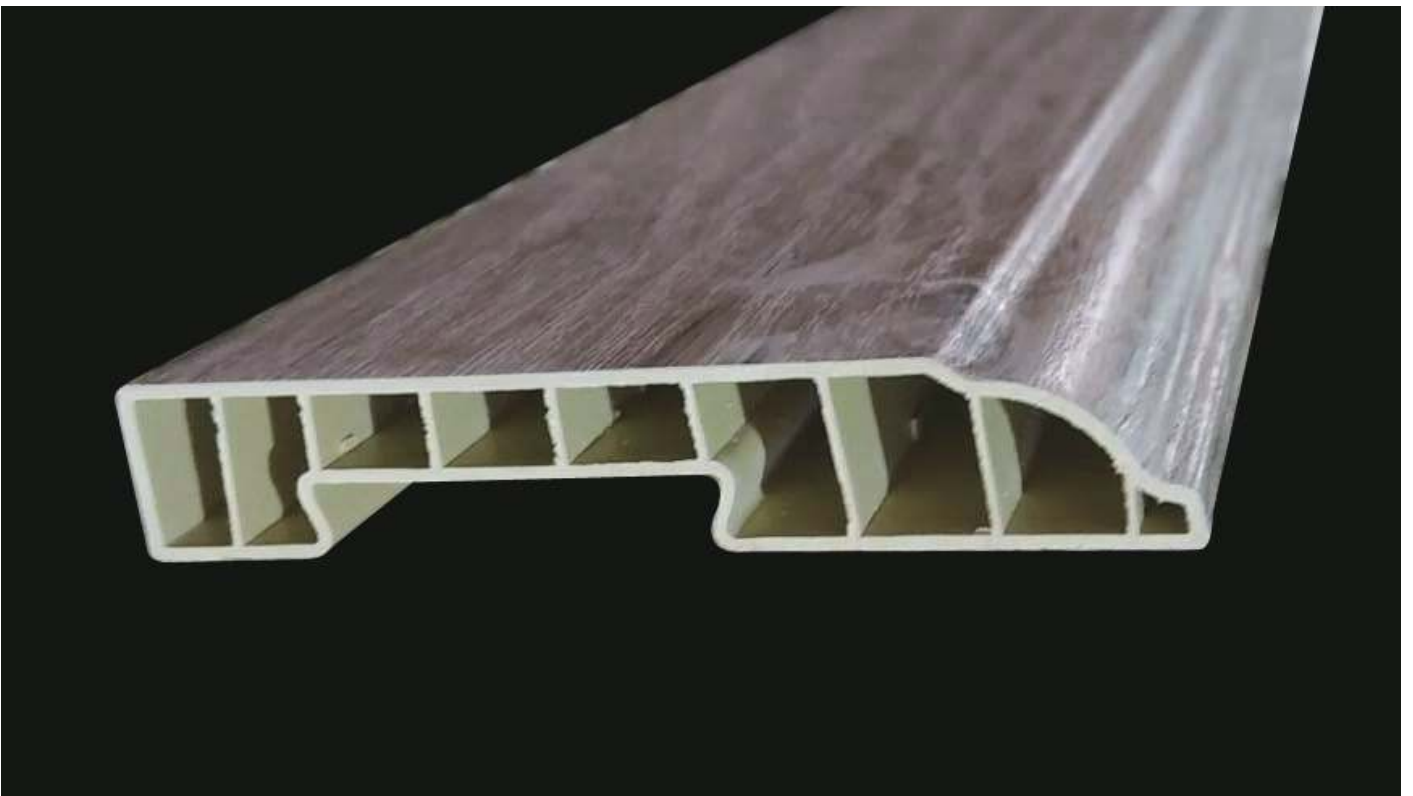
L(mm)	W(mm)	H(mm)	Package(pcs/ctn)	N.W(kgs/ctn)
1200	300	25	8	10

PVC SKIRTINGS |



Skirting 90-1

2400x90x15mm



Skirting 80-1

2400x80x15mm

PVC TRANSITIONS |



Reducer



L(mm)	W(mm)	H(mm)	Package(pcs/ctn)	N.W(kgs/ctn)
2400	43	10	20	14.3



T-moulding



L(mm)	W(mm)	H(mm)	Package(pcs/ctn)	N.W(kgs/ctn)
2400	43	7	20	10



End-Cap



L(mm)	W(mm)	H(mm)	Package(pcs/ctn)	N.W(kgs/ctn)
2400	35	10	20	13.4



Quarter-Round



L(mm)	W(mm)	H(mm)	Package(pcs/ctn)	N.W(kgs/ctn)
2400	28	16	25	16.26

PVC TRANSITIONS |



Stair-Nose



L(mm)	W(mm)	H(mm)	Package(pcs/ctn)	N.W(kgs/ctn)
2400	54	18	10	11



Flush Stair Nose A



L(mm)	W(mm)	H(mm)	Package(pcs/ctn)	N.W(kgs/ctn)
2400	72	25	10	15



Flush Stair Nose B



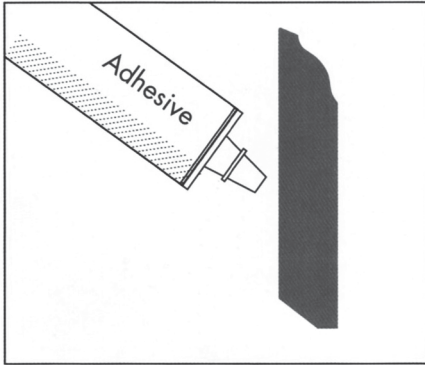
L(mm)	W(mm)	H(mm)	Package(pcs/ctn)	N.W(kgs/ctn)
2400	115	25	6	18

PRODUCT DETAIL |

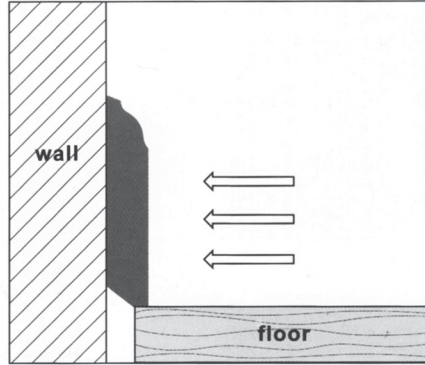
	Name	Size	Package(pcs/ctn)	N.W(kgs/ctn)
HDF	Skriting-01	2400x60x15	12pcs/ctn	15kgs/ctn
		2400x80x15	10pcs/ctn	15.5kgs/ctn
	Skriting-02	2400x72x18	12pcs/ctn	24kgs/ctn
	Skriting-03	2400x80x15	8pcs/ctn	15kgs/ctn
		2400x90x15	10pcs/ctn	21.5kgs/ctn
		2400x96x15	8pcs/ctn	25kgs/ctn
	Skriting-04	2400x72x18	10pcs/ctn	8.3kgs/ctn
	Skriting-05	2400x70x18	10pcs/ctn	8kgs/ctn
	Reducer	2400x45x12	20pcs/ctn	14.5kgs/ctn
		2400x45x15	13pcs/ctn	14.7kgs/ctn
		2400x45x18	10pcs/ctn	15kgs/ctn
	T-moulding	2400x45x10	20pcs/ctn	11kgs/ctn
		2400x45x12	20pcs/ctn	11.5kgs/ctn
	End-Cap	2400x35x12	20pcs/ctn	11.5kgs/ctn
		2400x35x15	20pcs/ctn	12kgs/ctn
	End-Molding	2400x21x12	60pcs/ctn	16.5kgs/ctn
	Quarter-Round	2400x28x15	30pcs/ctn	15kgs/ctn
Scotia	2400x28x12	40pcs/ctn	12.5kgs/ctn	
	2400x28x15	25pcs/ctn	13kgs/ctn	
	2400x38x12	25pcs/ctn	14kgs/ctn	
Starinose-01	2400x55x18	10pcs/ctn	10.7kgs/ctn	
Starinose-02	2400x72x25	10pcs/ctn	11.5kgs/ctn	
	2400x115x25	10pcs/ctn	15kgs/ctn	
Stairboard	1200x300x25	8pcs/ctn	10kgs/ctn	
PVC	Skriting 90-1	2400x90x15	10pcs/ctn	10kgs/ctn
	Skriting 80-1	2400x80x15	10pcs/ctn	10kgs/ctn
	Reducer	2400x43x10	20pcs/ctn	14.3kgs/ctn
	T-molding	2400x43x7	20pcs/ctn	10kgs/ctn
	End-Cap	2400x35x10	20pcs/ctn	13.4kgs/ctn
	Quarter-Round	2400x28x16	25pcs/ctn	16.26kgs/ctn
	Stair-Nose	2400x54x18	10pcs/ctn	11kgs/ctn
	Flush Stair Nose A	2400x72x25	10pcs/ctn	15kgs/ctn
	Flush Stair Nose B	2400x115x25	6pcs/ctn	18kgs/ctn

INSTALLATION |

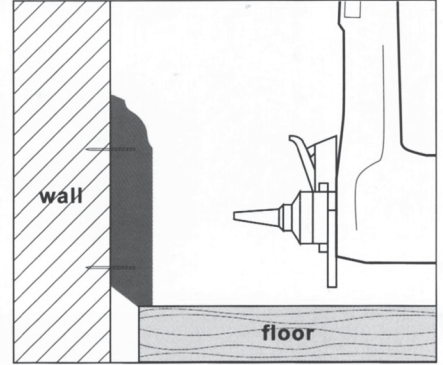
Skirting Installation—with adhesive & nails



1. Apply adhesive on the back of the skirting.

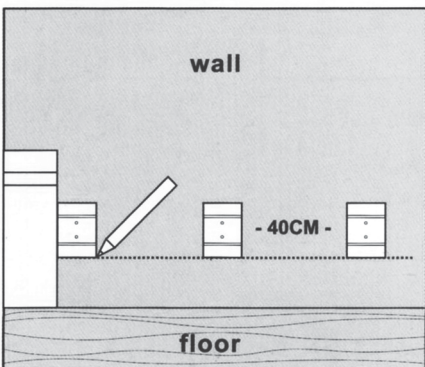


2. Press skirting against the wall and support it with something heavy until it has cured so that it will not pop off the wall.

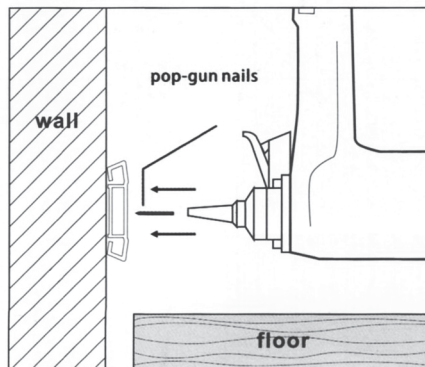


3. Use finish nails in the skirting every 40cm and Finish up the nails with a color matching Color Fill.

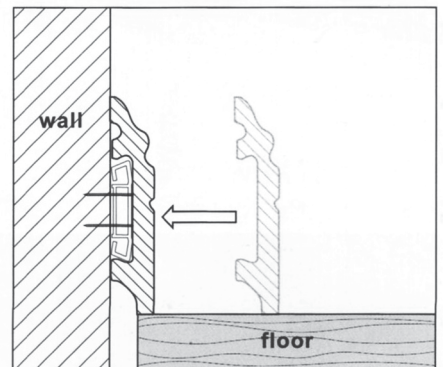
Skirting Installation—with buckle



1. Cut a 20cm piece and install the buckle as shown. Mark the position of buckle on the wall every 40cm.

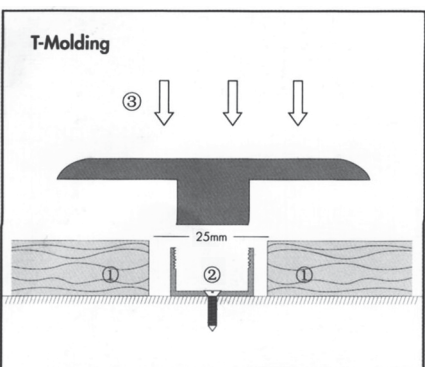


2. Fix the buckles with nails.

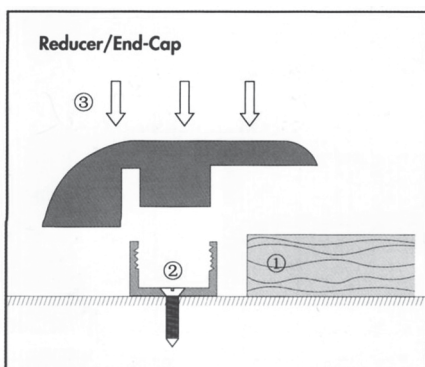


3. Install the skirting with the buckle.

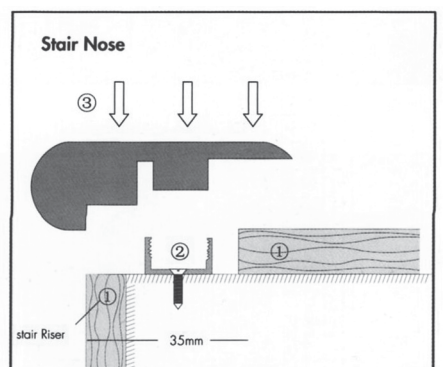
Flooring Transition Installation



1. Install the flooring by leaving a 25mm gap between two planks
2. Center the PVC track between two floors and screw it to sub floor
3. Gently press the molding into the track starting from one end to the other



1. Install the flooring by leaving space besides the plank
2. Screw the PVC Track besides the planks
3. Gently press the molding into the track starting from one end to the other



1. Install the riser flush to the Stair. Leave 35mm distance between the outer edge of the riser and the floor.
2. Screw the PVC Track besides the planks
3. Gently press the molding into the track starting from one end to the other

DECNO

floor of innovation

Contact

- ▶ Tel: +86-400-110-0010
- ▶ Email: sales@decnoflooring.com
- ▶ Web: www.decnoflooring.com



Website